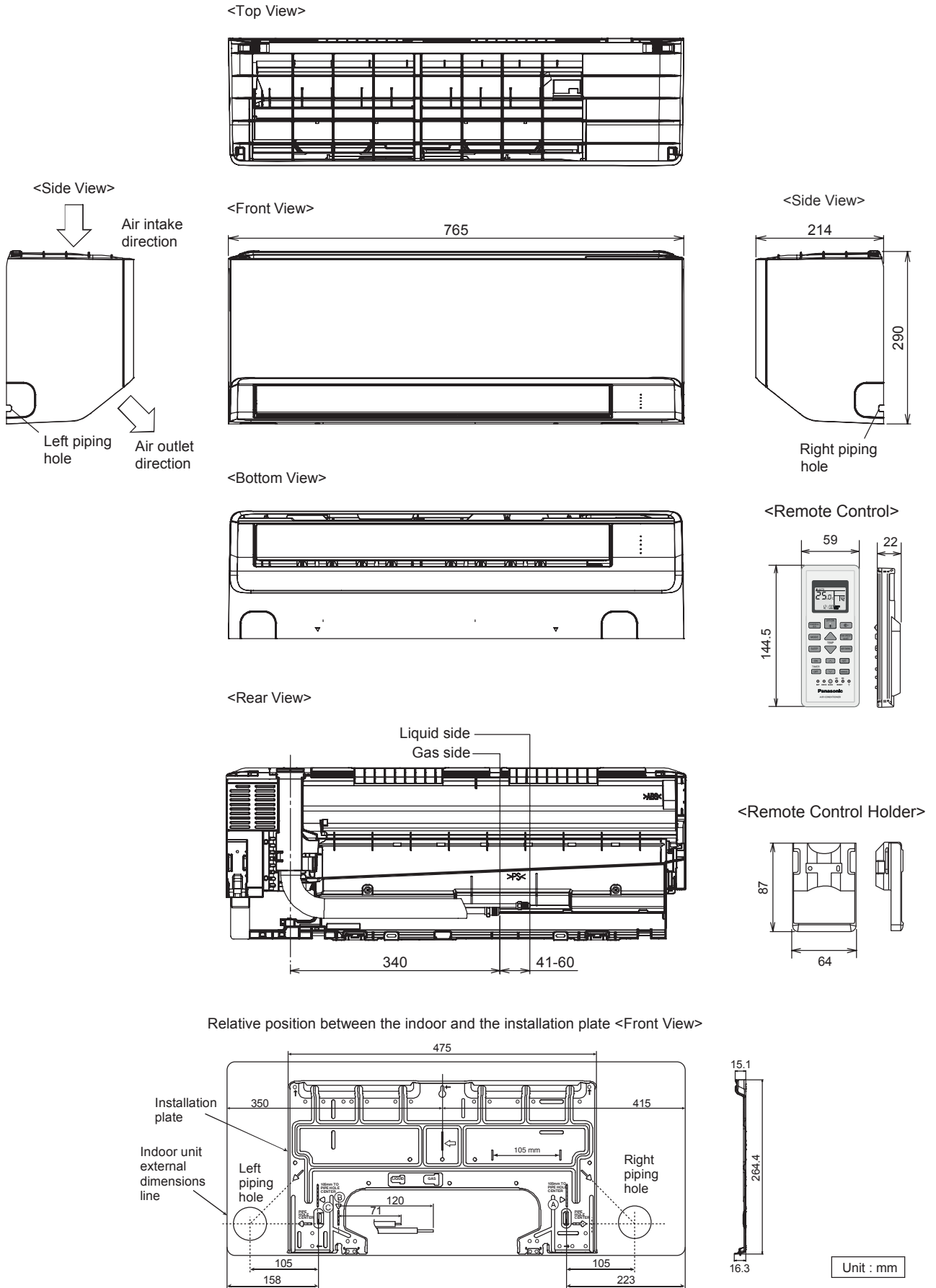


Dimensions

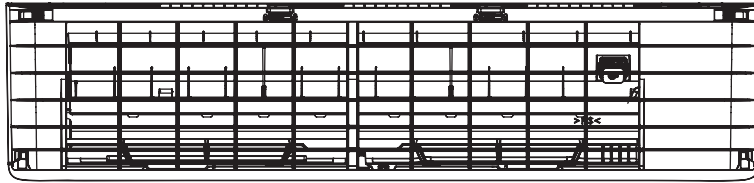
1. Indoor Unit

1.1 CS-RU9AKH-8 / CS-RU12AKH-8 / CS-RU18AKH-8

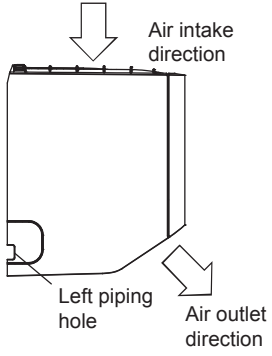


1.2 CS-RU18AKH-8B / CS-RU24AKH-8

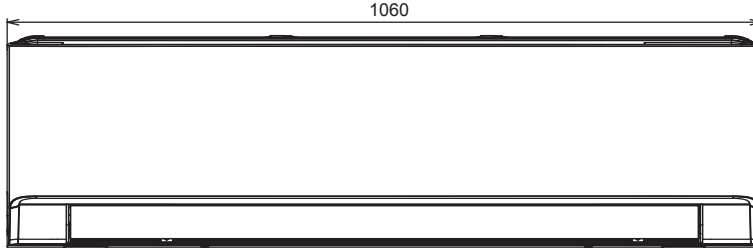
<Top View>



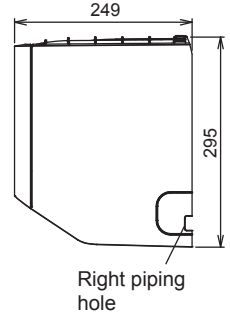
<Side View>



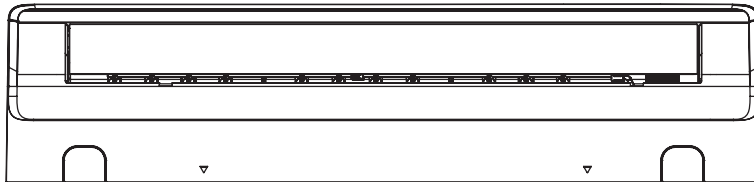
<Front View>



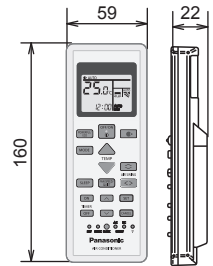
<Side View>



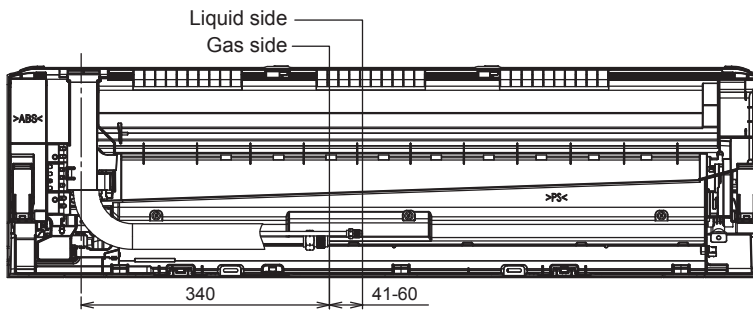
<Bottom View>



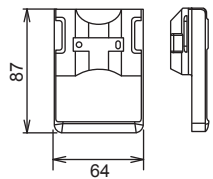
<Remote Control>



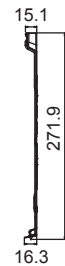
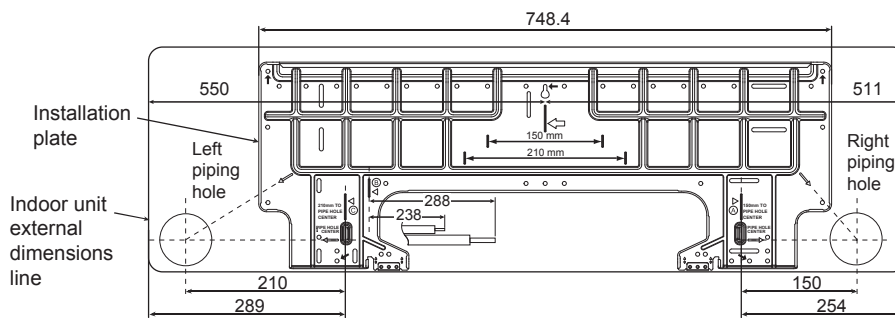
<Rear View>



<Remote Control Holder>



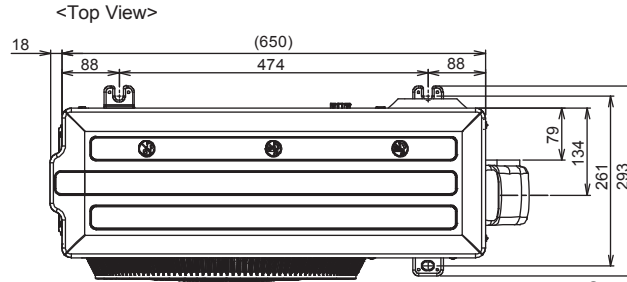
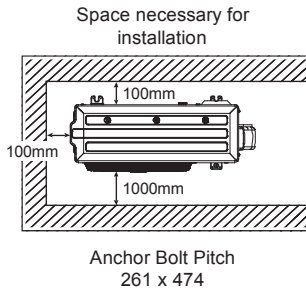
Relative position between the indoor and the installation plate <Front View>



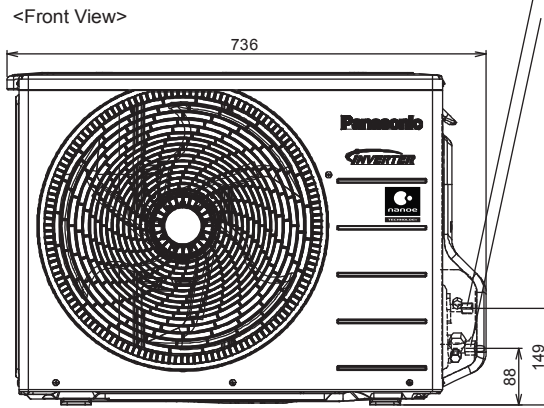
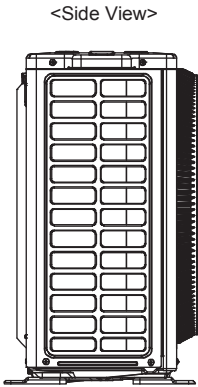
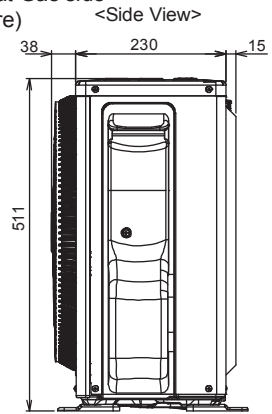
Unit : mm

2. Outdoor Unit

2.1 CU-RU9AKH

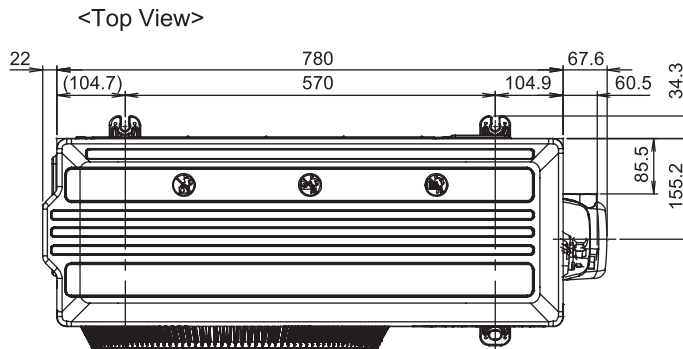
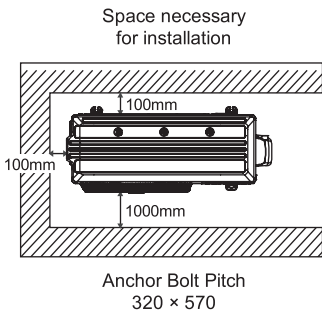


2-way valve at Liquid side
(High Pressure)
3-way valve at Gas side
(Low Pressure)



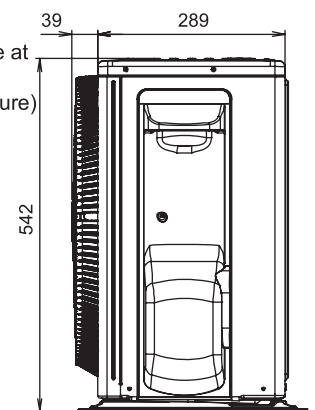
Unit : mm

2.2 CU-RU12AKH



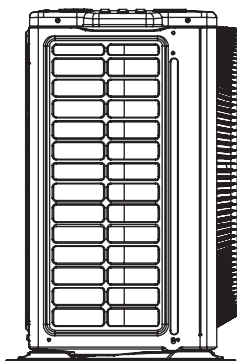
2-way valve at
Liquid side
(High Pressure)

<Side View>

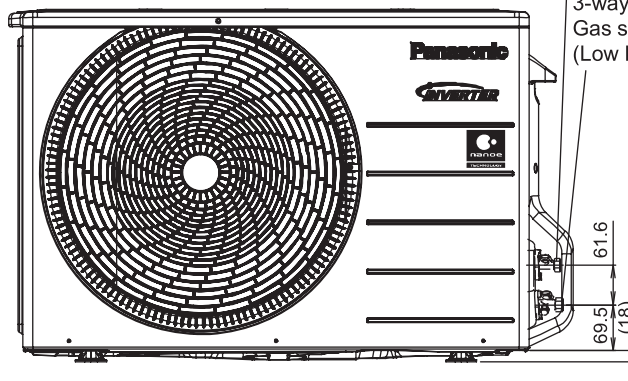


3-way valve at
Gas side
(Low Pressure)

<Side View>

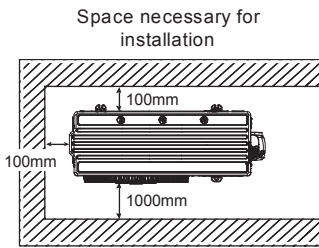


<Front View>

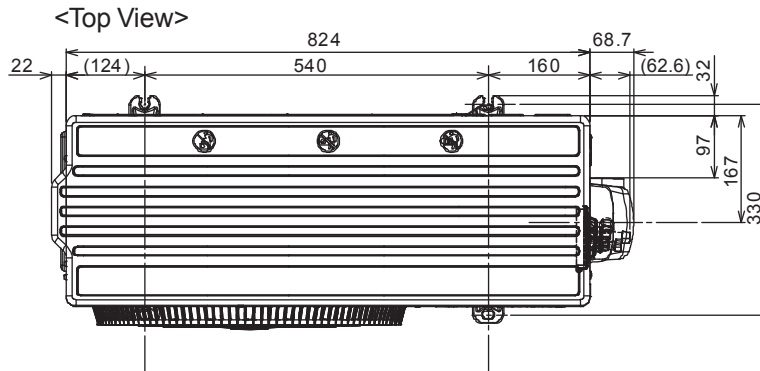


Unit: mm

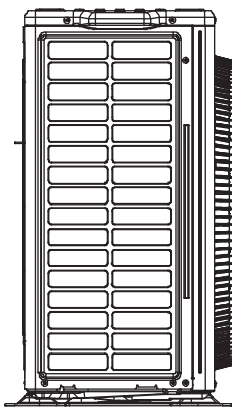
2.3 CU-RU18AKH



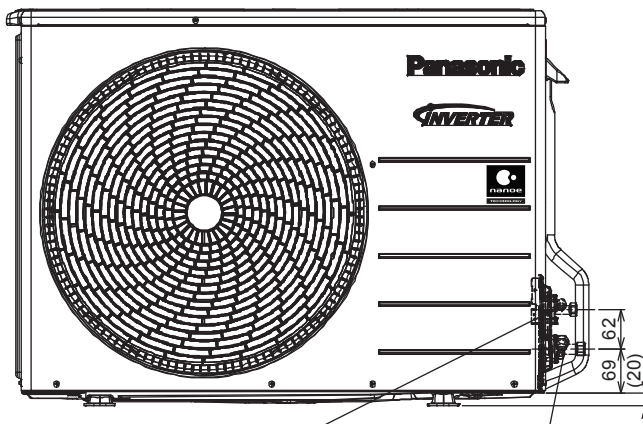
Anchor Bolt Pitch
330 × 540



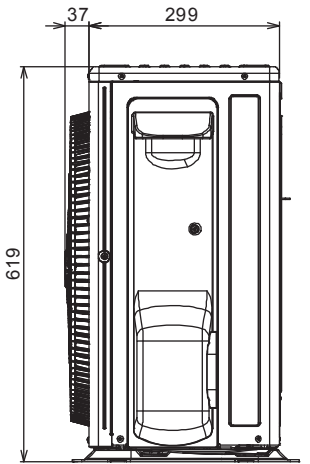
<Side View>



<Front View>



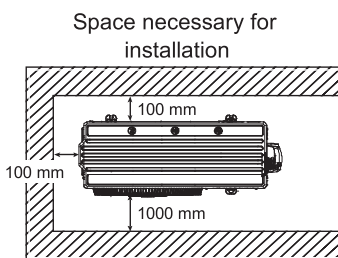
<Side View>



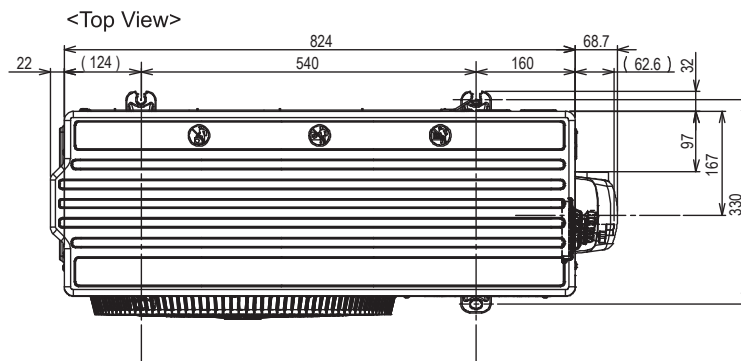
Unit : mm

2-way valve at Liquid side (High Pressure) 3-way valve at Gas side (Low Pressure)

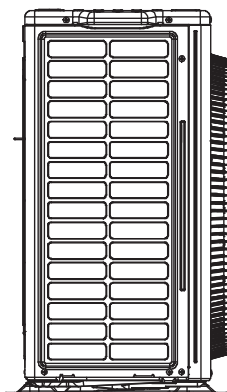
2.4 CU-RU18AKH-B / CU-RU24AKH



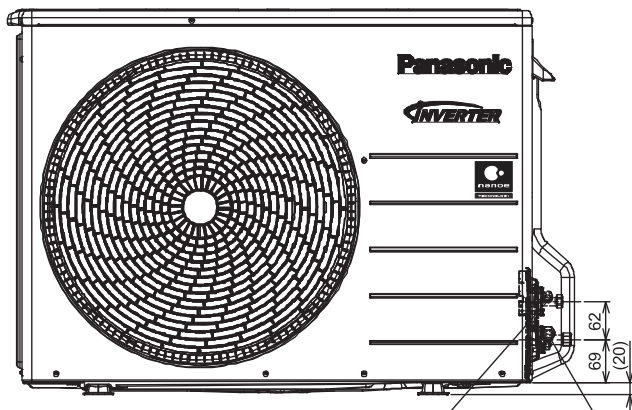
Anchor Bolt Pitch
330 x 540



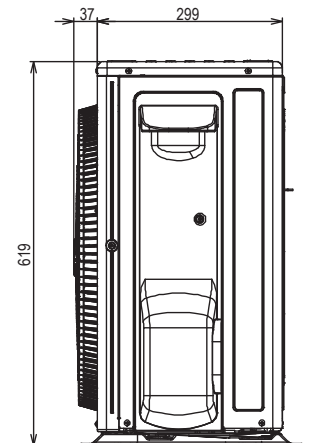
<Side View>



<Front View>



<Side View>



Unit: mm

2-way valve at Liquid side (High Pressure) 3-way valve at Gas side (Low Pressure)